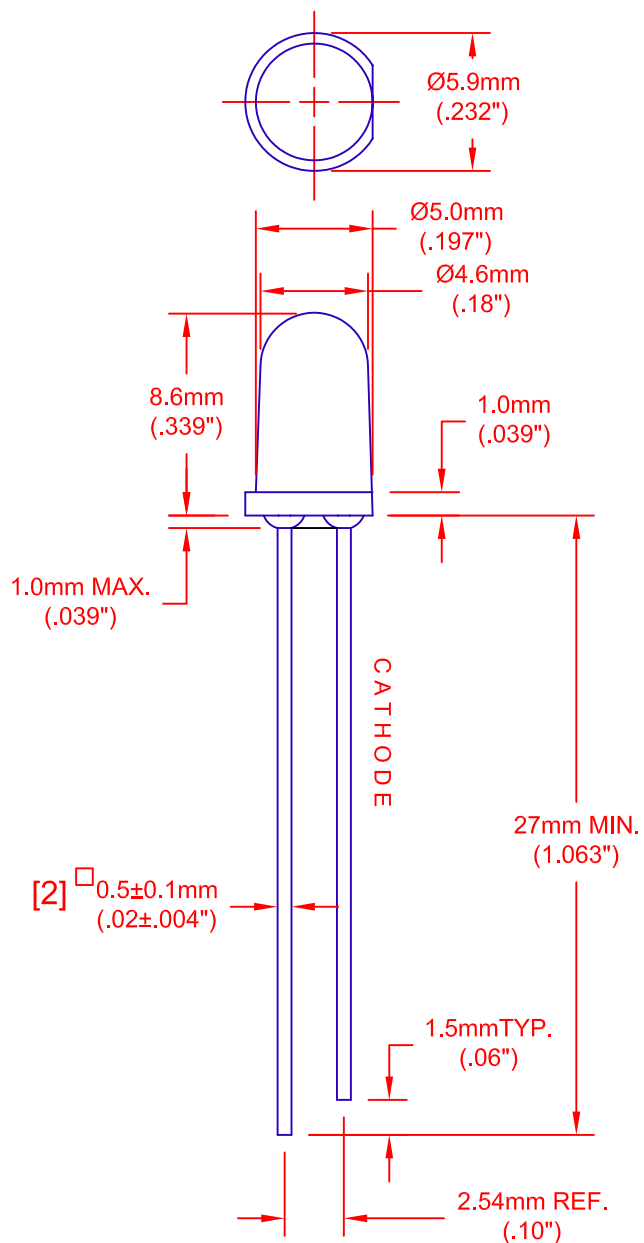


REV.	DESCRIPTION/ECO NO.	DATE
	RELEASE AND CANCEL	10/16/01
	PL-9912-03	
A	ENGR RELEASE TO CAD	2/17/10



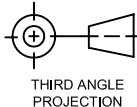
**ABSOLUTE MAXIMUM RATING**  
(TA = 25°C)

DESCRIPTION	SYMBOL	CONDITION	RATING	UNIT
Reverse Voltage	V <sub>R</sub>	---	5	V
Forward Current (max.)	I <sub>F</sub>	---	25	mA
Forward Current (Peak)	I <sub>FS</sub>	1/10 Duty Cycle, 0.1ms Pulse Width	150	mA
Power Dissipation	P <sub>T</sub>	---	105	mW
Operating Temperature	T <sub>A</sub>	---	-40~+85	°C
Storage Temperature	T <sub>STG</sub>	---	-40~+85	°C

**ELECTRICAL & OPTICAL OPERATING CHARACTERISTICS**  
(TA = 25°C)

DESCRIPTION	SYMBOL	CONDITION	RATING	UNIT
Forward Voltage	V <sub>F</sub>	I <sub>F</sub> = 20mA	2.2	V
Forward Voltage (max.)	V <sub>F</sub>	I <sub>F</sub> = 20mA	2.5	V
Reverse Current	I <sub>R</sub>	V <sub>R</sub> = 5V	10	uA
Wavelength at Peak Emission	λ <sub>P</sub>	I <sub>F</sub> = 20mA	565	nm
Spectral Line Half-Width	Δλ	I <sub>F</sub> = 20mA	30	nm
Capacitance	C	V <sub>F</sub> = 0V, f = 1MHz	45	pF

JKL PART NUMBER	SOURCE (DICE)	LENS TYPE (RESIN)	LUMINOUS INTENSITY MCD @ 10mA		VIEWING ANGLE
			MIN.	TYP.	
Z-223G/50	GREEN (GaP)	WATER CLEAR	20	50	20°

<b>METRIC</b>  THIRD ANGLE PROJECTION	DIMENSIONS ARE IN MILLIMETERS (INCHES)	<b>JKL COMPONENTS CORPORATION</b> TITLE T-1 3/4 STANDARD STRAIGHT FRAME ROUND LED LAMP/GREEN			
	TOLERANCE UNLESS OTHERWISE SPECIFIED ± 0.25mm ±.010"				
DRAWN BY L. WENGSTROM APP'D BY L.R. DATE 12/17/10	SIZE <b>A</b> FSCM NO. <b>55335</b> DRAWING NO. <b>Z-223G/50</b>	REV. <b>A</b>			
- CAD DRAWING - MANUAL REVISIONS NOT PERMITTED		SCALE <b>NONE</b>	RELEASED DATE <b>10/16/01</b>	RELEASED DATE <b>2/17/10</b>	SHEET <b>1 OF 1</b>