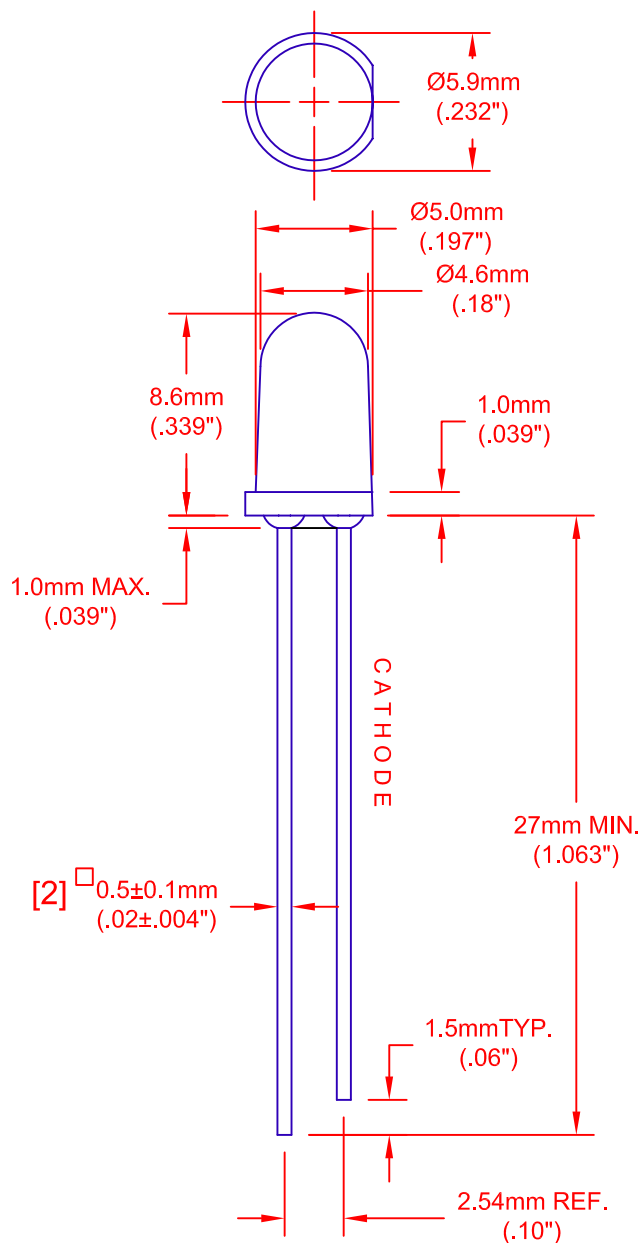


REV.	DESCRIPTION/ECO NO.	DATE
	RELEASE AND CANCEL	10/16/01
	PL-9912-03	
A	ENGR RELEASE TO CAD	2/17/10



### ABSOLUTE MAXIMUM RATING

(TA = 25°C)

DESCRIPTION	SYMBOL	CONDITION	RATING	UNIT
Reverse Voltage	$V_R$	---	5	V
Forward Current (max.)	$I_F$	---	30	mA
Forward Current (Peak)	$I_{FS}$	1/10 Duty Cycle, 0.1ms Pulse Width	150	mA
Power Dissipation	$P_T$	---	105	mW
Operating Temperature	$T_A$	---	-40~+85	°C
Storage Temperature	$T_{STG}$	---	-40~+85	°C

### ELECTRICAL & OPTICAL OPERATING CHARACTERISTICS

(TA = 25°C)

DESCRIPTION	SYMBOL	CONDITION	RATING	UNIT
Forward Voltage	$V_F$	$I_F = 20\text{mA}$	2	V
Forward Voltage (max.)	$V_F$	$I_F = 20\text{mA}$	2.5	V
Reverse Current	$I_R$	$V_R = 5\text{V}$	10	uA
Wavelength at Peak Emission	$\lambda_P$	$I_F = 20\text{mA}$	625	nm
Spectral Line Half-Width	$\Delta\lambda$	$I_F = 20\text{mA}$	45	nm
Capacitance	C	$V_F = 0\text{V}, f = 1\text{MHz}$	12	pF

JKL PART NUMBER	SOURCE (DICE)	LENS TYPE (RESIN)	LUMINOUS INTENSITY MCD @ 10mA		VIEWING ANGLE
			MIN.	TYP.	
Z-223RH/80	RED (GaAsP/GaP)	WATER CLEAR	50	80	20°

METRIC		DIMENSIONS ARE IN MILLIMETERS (INCHES)		JKL COMPONENTS CORPORATION			
 THIRD ANGLE PROJECTION		TOLERANCE UNLESS OTHERWISE SPECIFIED $\pm 0.25\text{mm}$ $\pm .010"$		<b>TITLE</b> T-1 3/4 STANDARD STRAIGHT FRAME ROUND LED LAMP/RED			
<b>DRAWN BY</b> L. WENGSTROM	<b>APP'D BY</b> L.R.	<b>DATE</b> 2/17/10	<b>SIZE</b> A	<b>FSCM NO.</b> 55335	<b>DRAWING NO.</b> Z-223RH/80	<b>REV.</b> A	
- CAD DRAWING - MANUAL REVISIONS NOT PERMITTED			<b>SCALE</b> NONE	<b>RELEASED DATE</b> 10/16/01	<b>RELEASED DATE</b> 2/17/10	<b>SHEET</b> 1 OF 1	