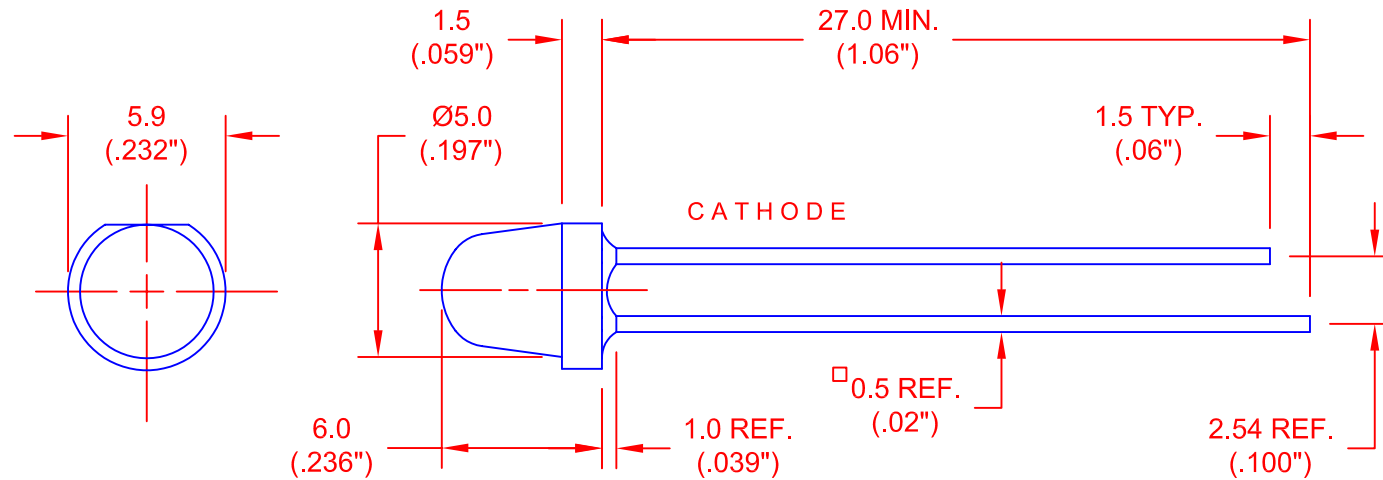


| REV. | DESCRIPTION/ECO NO. | DATE |
|------|---------------------|---------|
| | RELEASED | 2/25/09 |
| | | |
| | | |
| | | |



ELECTRICAL & OPTICAL CHARACTERISTICS

| JKL PART NUMBER | FORWARD VOLTAGE (DC) | | FORWARD CURRENT (mA)* | | OPERATING TEMP. (C) | | INTENSITY mcd** | | PEAK WAVELENGTH nm | COLOR | | TYP. VIEWING 1/2 ANGLE DEGREE |
|-----------------------|-------------------------|------|--------------------------|------|------------------------|------|--------------------|------|--------------------------|---------------------------------|-----------------|-------------------------------------|
| | TYP. | MAX. | TYP. | MAX. | MIN. | MAX. | MIN. | TYP. | | LED SOURCE (DICE) | LENS TYPE | |
| | | | | | | | | | | | | |
| Z-321RH | 2 | 2.5 | 20 | 30 | -40 | +85 | 5.0 | 12.0 | 627 | HIGH INTENSITY RED GaAsP/GaP | RED DIFFUSED | 120 |

* CONTINUOUS-DUTY RATING

** INTENSITY VALUES ARE AT TYPICAL FORWARD CURRENT OF 10mA

NOTE: ELECTRO STATIC DISCHARGE PROTECTION REQUIRED WHEN HANDLING DEVICES.

| | | | | | | | | | | | |
|---|---|-------------------------------------|---------------|-----------------------------|---------------------------|-------------|-----------------|---|--|--|--|
| <p>METRIC THIRD ANGLE PROJECTION</p> | DIMENSIONS ARE IN MILLIMETERS (INCHES) | <h1>JKL COMPONENTS CORPORATION</h1> | | | | | | | | | |
| | TOLERANCE UNLESS OTHERWISE SPECIFIED ±0.25mm (±0.01) | | | | | | | TITLE T-1 3/4 (5mm) LOW PROFILE STRAIGHT FRAME ROUND LED LAMP | | | |
| DRAWN BY L. WENGSTROM | APP'D BY L.R. | DATE 2/25/09 | SIZE A | FSCM NO. 55335 | DRAWING NO. Z-321RH | | | | | | |
| - CAD DRAWING - MANUAL REVISIONS NOT PERMITTED | | | SCALE NONE | RELEASED DATE 2/25/09 | REVISION DATE | REV. NO. | SHEET 1 OF 1 | | | | |