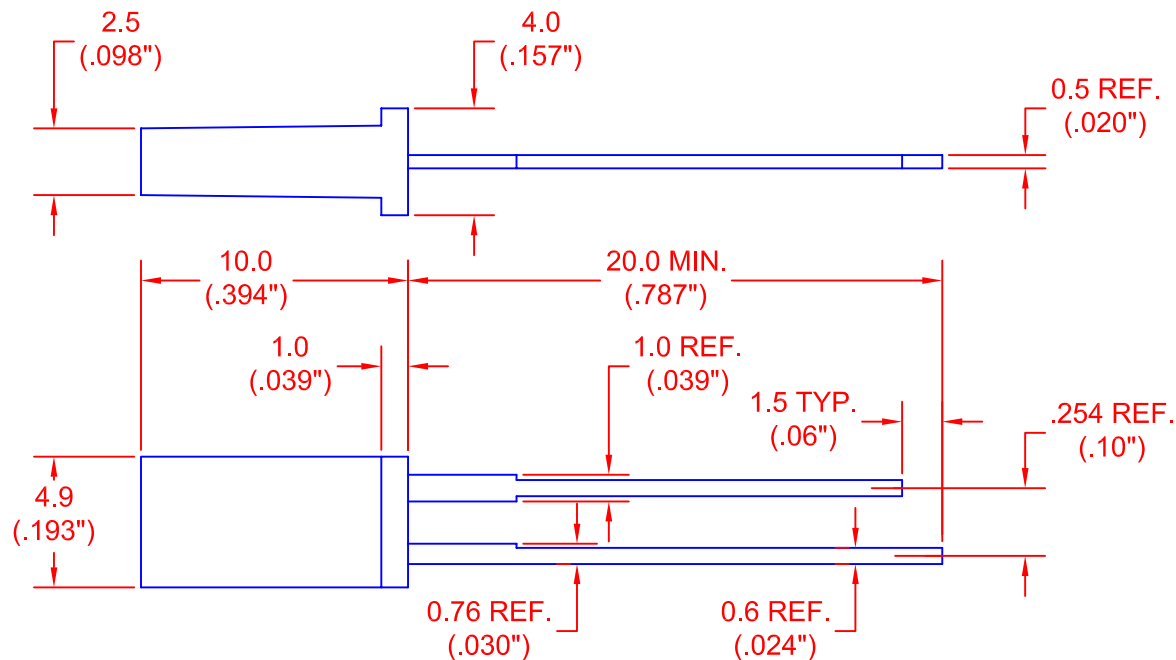


REV.	DESCRIPTION/ECO NO.	DATE
	RELEASED	10/15/08
A	ADD Z-511AH	1/6/09



### ELECTRICAL & OPTICAL CHARACTERISTICS

JKL PART NUMBER	FORWARD VOLTAGE (DC)		FORWARD CURRENT (mA)*		OPERATING TEMP. (C)		INTENSITY mcd**		PEAK WAVELENGTH nm	COLOR		TYP. VIEWING 1/2 ANGLE DEGREE
	TYP.	MAX.	TYP.	MAX.	*MIN.	*MAX.	MIN.	TYP.		LED SOURCE (DICE)	LENS TYPE TYPE	
Z-511R	1.7	2.1	10	25	-40	+85	0.50	0.80	660	RED GaAsP	RED TOP DIFFUSED	120
Z-511RH	2.0	2.5	10	25	-40	+85	1.25	8.00	625	HIGH INTENSITY RED GaAsP/GaP	RED TOP DIFFUSED	120
Z-511G	2.2	2.5	10	25	-40	+85	1.25	8.00	565	GREEN GaP	GREEN TOP DIFFUSED	120
Z-511AH	2.2	2.5	10	25	-40	+85	1.25	8.00	585	AMBER GaP	AMBER TOP DIFFUSED	120

\* CONTINUOUS-DUTY RATING

\*\* INTENSITY VALUES ARE AT TYPICAL FORWARD CURRENT OF 10mA

NOTE: ELECTRO STATIC DISCHARGE PROTECTION REQUIRED WHEN HANDLING DEVICES.

<p>METRIC THIRD ANGLE PROJECTION</p>	<p>DIMENSIONS ARE IN MILLIMETERS (INCHES)</p> <p>TOLERANCE UNLESS OTHERWISE SPECIFIED ±0.25mm (±0.01)</p>	<p><b>JKL COMPONENTS CORPORATION</b></p>					
		<p>TITLE 2.5 X 5mm RETANGULAR LED LAMP</p>					
<p>DRAWN BY L. WENGSTROM</p>	<p>APPV'D BY DATE S.C. 1/6/09</p>	<p>SIZE A</p>	<p>FSCM NO. 55335</p>	<p>DRAWING NO. Z-511</p>			
<p>- CAD DRAWING - MANUAL REVISIONS NOT PERMITTED</p>		<p>SCALE NONE</p>	<p>RELEASED DATE 10/15/08</p>	<p>REVISION DATE 1/6/09</p>	<p>REV. NO. A</p>	<p>SHEET 1 OF 1</p>	