

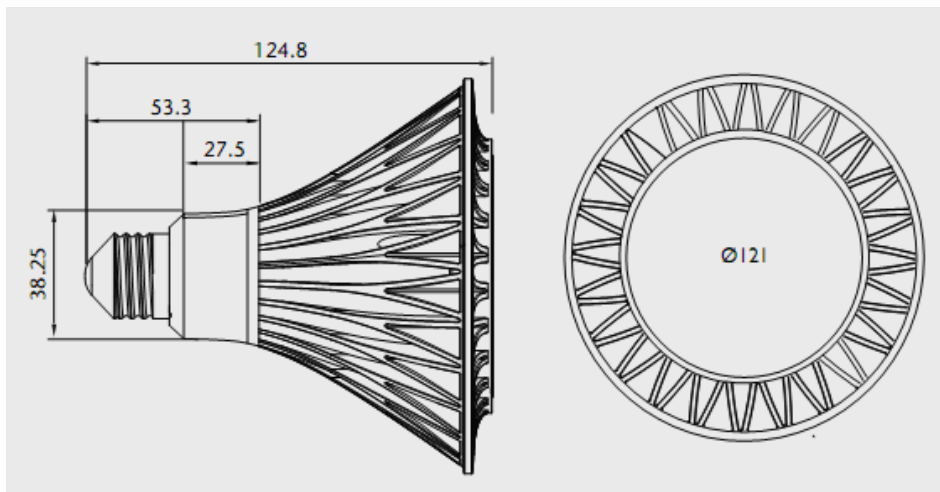
LED PAR38

Features

- Dimmable using standard TRIAC dimmers
- IP65 Water Resistant for Wet and Outdoor Locations
- >35,000 Hrs Life
- Fits standard E26 screw-in fixtures
- Efficacy of 68 lm/W
- Power factor pf 95%



Dimensions in mm



Absolute Maximum Ratings at Ta=25°C

Parameter	Symbol	Absolute Maximum Rating	Unit
Power Dissipation	Pd	23.9	W
Supply Voltage	Vs	132	Vac
Operating Current	Iopr	241	mA
Operating Temperature	Topr	-20 ~ 40	°C
Storage Temperature	Tstg	-20 ~ 60	°C

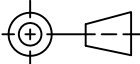
Optical Characteristics

JKL Part Number	CCT	Typical Flux	CRI	Beam Angle
Z-PAR38-CW-120	5000°K	1500 lm	>80	35°
Z-PAR38-NW-120	4000°K	1400 lm	>80	35°
Z-PAR38-WW-120	3000°K	1400 lm	>80	35°

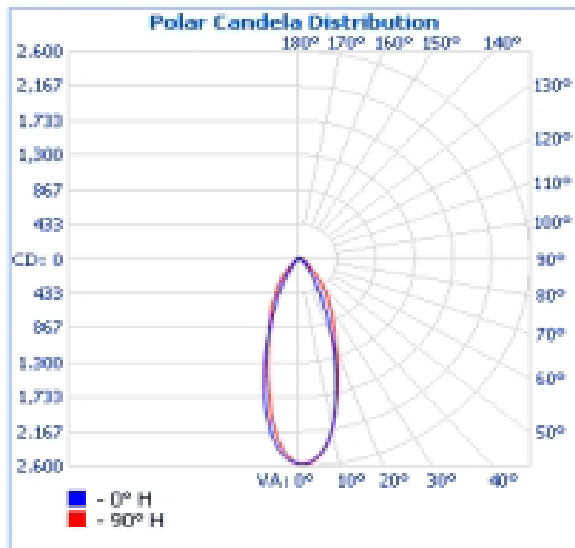
Notes:

- CCT Tolerance $\pm 250^{\circ}\text{K}$
- CRI >80, & R9>0



			METRIC  THIRD ANGLE PROJECTION		DIMENSIONS ARE IN mm (INCHES) TOLERANCE UNLESS OTHERWISE SPECIFIED 1 PL +/- REF. 2 PL +/- REF. ANGLE +/-		JKL COMPONENTS CORPORATION							
							TITLE LED PAR 38 LAMPS							
A CHANGE FEATURES NOTE RELEASE & CANCEL PL-1302-01			12/17/13 3/6/13		DRAWN BY L. WENGSTROM		APPV'D BY DATE L.R. 12/17/13		SIZE A		FSCM NO. 55335		DRAWING NO. Z-PAR38 MULTI	
REV. NO. DESCRIPTION/ECO NUMBER			APPV'D DATE		- CAD DRAWING - MANUAL REVISIONS NOT PERMITTED		SCALE NONE		RELEASED DATE 3/6/13		REVISION DATE 12/17/13		REV. NO. A SHEET 1 OF 2	

◆ PAR38 Beam Cone



	Center Beam LUX	Beam Width	
1.0M	2,566.86 LUX	0.6M	0.6M
2.0M	641.72 LUX	1.3M	1.3M
3.0M	285.21 LUX	1.9M	1.9M
4.0M	160.43 LUX	2.6M	2.6M
5.0M	102.67 LUX	3.2M	3.2M
6.0M	71.30 LUX	3.8M	3.8M

■ Vert. Spread: 35.4° ■ Horiz. Spread: 35.6°

Flood Summary				
	Efficiency	Lumens	Horizontal Spread	Vertical Spread
Field (10%):	80.4%	1,206.0	85.6	69.3
Beam (50%):	36.7%	550.5	35.6	35.4
Total:	100%	1,500.2		

Recommended Dimmer List

No.	Brand	Series	Part Number	Load	Dimming Range Min.-->Max. Flux(%) (1 Lamp)	Does Lamp Flicker
1	Lutron	DIVA	DV-603PR-WH	600W	93% ~ 0%	NO
2	Lutron	ROTARY	D-600PH-DK	600W	87% ~ 0%	NO
3	Lutron	TOGGLER	TG-603PR-WH	600W	92% ~ 0%	NO
4	Lutron	SKYLARK	S-600-WH	600W	96% ~ 0%	NO
5	Lutron	SKYLARK	CT-603PGH-WH	600W	73% ~ 0%	NO
6	Cooper	SKYE	SLC03P-WK	300W	94% ~ 15%	NO

Notes:

1. The flux measured without a dimmer is 100%.
2. This Table can only be used as a reference since different batches of dimmers or lamps may have different results.

Caution:

- Risk of electric shock, turn off power before replacing bulb.
- Not for use in totally enclosed fixtures.
- Avoid direct exposure to water under operation
- Not suitable for high temperature areas.