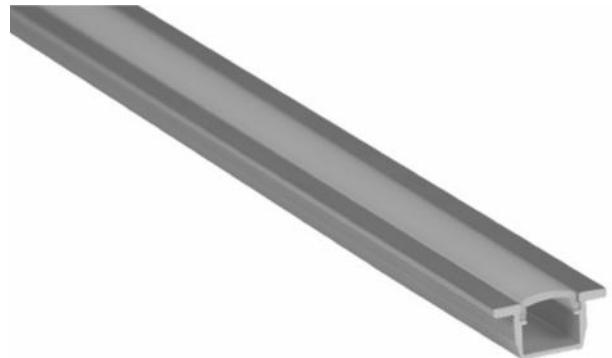
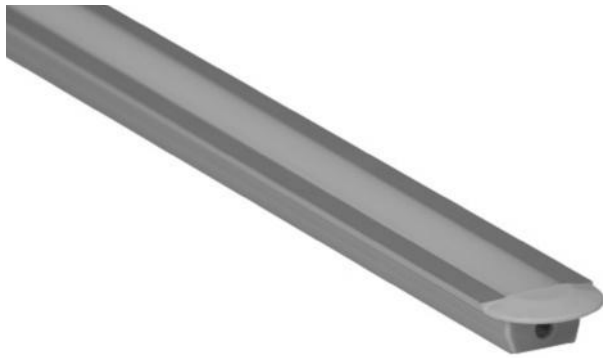


RECESSED MOUNT ALUMINUM LED CHANNEL WITH LENS

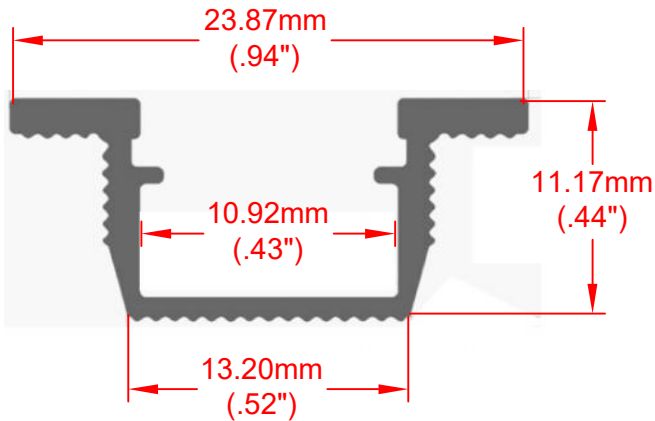
FEATURES:

- CUSTOM LENGTH TO MEET YOUR SPECIFIC NEEDS
- FROSTED OR CLEAR LENS OPTIONS
- SUPPLIED ALONE OR WITH LEDS, WIRE AND CONNECTOR INSTALLED (CONSULT JKL)
- ACCOMODATES LED RIBBON OR PCB UP TO 10mm WIDTH
- RECESSED DESIGN
- END CAPS SUPPLIED (ONE END CAP WITH HOLE AND ONE WITHOUT)



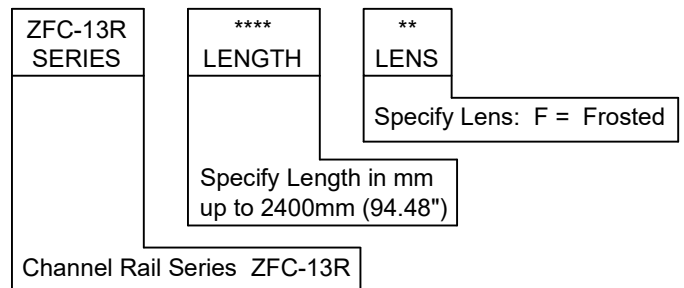
NOTES:

1. EXTRUSION IS MADE OF 6063-T5 NATURAL ANODIZED ALUMINUM.
2. LENS IS MADE OF HIGH TEMPERATURE POLYCARBONATE.



NOTE:
WITH LENS, THE HEIGHT IS 12.59mm (.613")

CHANNEL LENGTH AND LENS ORDERING GUIDE



JKL Part Number Example: ZFC-13R1000-F Channel Series with 1 Meter (1000mm) Length and Frosted Lens.

Consult with JKL for availability of Lengths and Lens on hand for immediate needs.

			 THIRD ANGLE PROJECTION		METRIC DIMENSIONS ARE IN mm (INCHES) TOLERANCE UNLESS OTHERWISE SPECIFIED 1 PL +/- REF. 2 PL +/- REF. ANGLE +/-		 JKL COMPONENTS CORPORATION				
			DRAWN BY L. WENGSTROM		APPV'D BY S.C.		DATE 6/16/19		TITLE RECESSED MOUNT ALUMINUM LED CHANNEL WITH LENS		
RELEASED			6/16/19		SCALE A		FSCM NO. 55335		DRAWING NO. ZFC-13R MULTI		
- CAD DRAWING - MANUAL REVISIONS NOT PERMITTED			SCALE NONE		RELEASED DATE 6/16/19		REVISION DATE		REV. NO. 1 OF 1		
REV. NO.	DESCRIPTION/ECO NUMBER	APPV'D DATE									