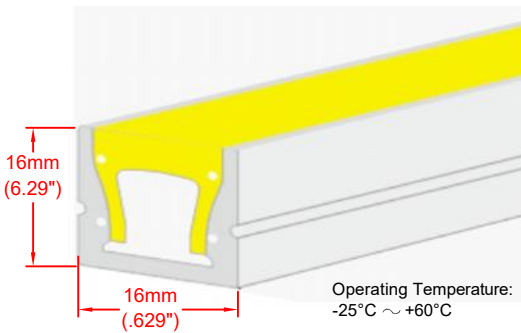


SILICONE LED FLEX TUBE - TOP VIEW

FEATURES:

- Frosted Lens
- Water Resistant
- Flexible
- UV Resistant
- Even Illumination
- Neon Replacement
- Custom Lengths
- Accommodates 8mm or 10mm width LED Flex Ribbon
- Color and Brightness Options

Can be used with a variety of LED Flex Ribbons to achieve 12V or 24V in a variety of colors and brightness levels. Custom wire lengths and Connector options.
Consult with JKL for customizations.

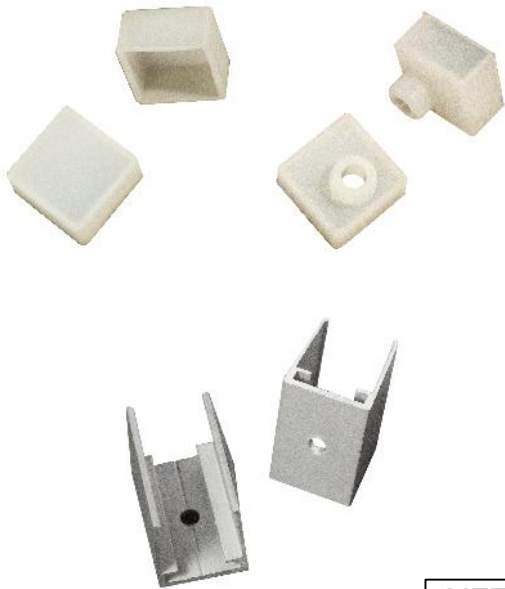


Empty tubing is available in custom lengths up to 164 feet (50 meters). Tubing housed with selected LED's is available in lengths up to 16 feet (5 meters).

Part Number Ordering for empty tubing.

ZFR-16***-F (***) Call out desired length in mm)

EXAMPLE: ZFR-1650000-F indicates a 50,000mm length.



End Caps supplied with ordered units

Part Number: ZFR-16ECH (End cap with hole)

Part Number: ZFR-16ECN (End cap without hole)

Mounting Clips ordered separately

Part Number: ZFR-16-MC

		 THIRD ANGLE PROJECTION		DIMENSIONS ARE IN mm (INCHES) TOLERANCE UNLESS OTHERWISE SPECIFIED 1 PL +/- REF. 2 PL +/- REF. ANGLE +/-		 JKL COMPONENTS CORPORATION				
						TITLE SILICONE LED FLEX TUBE, TOP VIEW				
		DRAWN BY L. WENGSTROM		APPV'D BY DATE S.C. 8/14/19		SIZE A	FSCM NO. 55335	DRAWING NO. ZFR-16-F MULTI		
REV. NO.	DESCRIPTION/ECO NUMBER	APPV'D DATE	- CAD DRAWING - MANUAL REVISIONS NOT PERMITTED			SCALE NONE	RELEASED DATE 8/14/19	REVISION DATE	REV. NO.	SHEET 1 OF 1