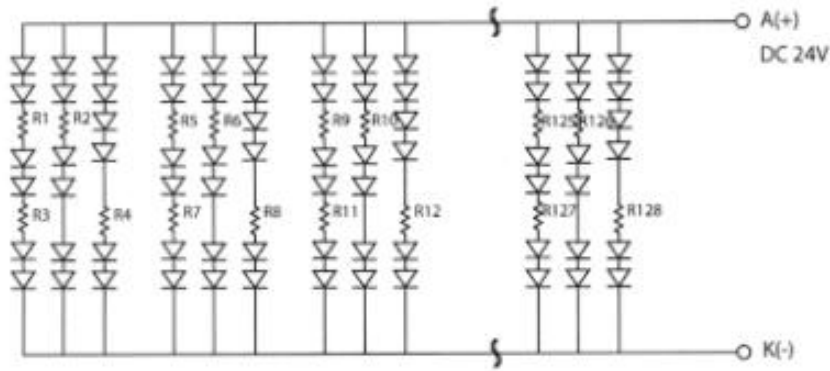




# 10mm X 4000mm SMD LIGHT RIBBON

## Circuit Diagram



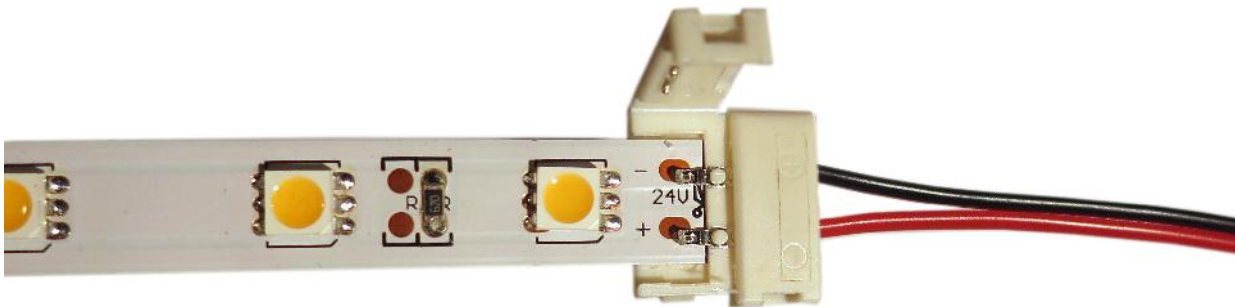
## Accessories

ZPS-2435 OR ZPS-2460 MeanWell Power Supply

## Mating Components



ZFS-CH0-12J  
Flex to Flex Tape Connector



ZFS-CH144-12I  
Flex Tape Input Connector

**JKL** COMPONENTS CORPORATION

DRAWING NO. ZFS-104000 MULTI

RELEASED DATE 4/29/15

REVISION DATE

REV. NO.

SHEET 2 OF 2