

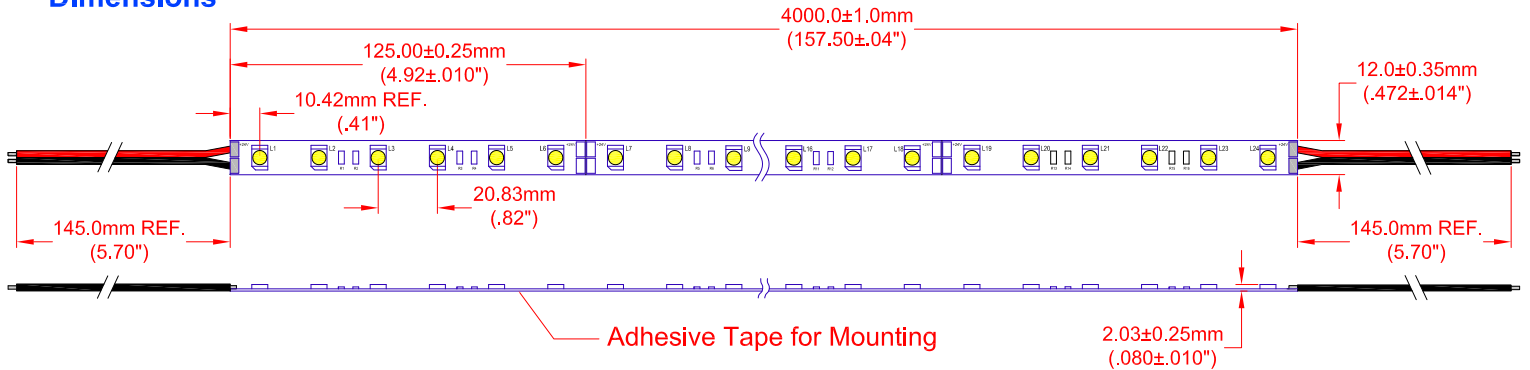
12mm X 4000mm SMD LIGHT RIBBON

Features

- Voltage: 24V DC
- Current: 1920mA
- LED Viewing Angle (2 0-1/2): 120°
- Standard Packaging:
4 Meter Reel (192 LED's)
- Optional Packaging:
Individual 500mm Sections (24 LED's)
Order as ZFS-124000-XX/SEC
Note: Individual Sections ARE NOT supplied with insulated wire connections.



Dimensions



Electro-Optical Characteristics (T_J = 25°C)

Part Number	Color	Number of LEDs	Input Voltage (V DC)	Power (W)	Current (mA)	Radiance Angle (Deg.)	λ _d (nm)/ CCT(K)	Lumen Flux (lm)
ZFS-124000-CW	Cool White	192	24	46.08	1920	120	6000	2083
ZFS-124000-NW	Neutral White	192	24	46.08	1920	120	4100	1949
ZFS-124000-WW	Warm White	192	24	48.08	1920	120	3050	1640

Note: Flux is measured with an accuracy of +/- 10%.

Maximum Ratings

Parameter	Symbol	Rating	Units
LED Junction Temperature	T _J	125	°C
Operating Temperature	T _{opr}	-20 ~ +85	°C
Storage Temperature	T _{stg}	-20 ~ +100	°C
ESD Sensitivity	V _B	1000	V

ATTENTION



OBSERVE PRECAUTION FOR HANDLING ELECTROSTATIC DISCHARGE SENSITIVE DEVICES

METRIC

DIMENSIONS ARE MILLIMETER (INCH)

TOLERANCE UNLESS OTHERWISE SPECIFIED

1 PL +/- REF.

2 PL +/- REF.

ANGLE +/- REF.

THIRD ANGLE PROJECTION

DRAWN BY L. WENGSTROM

APPV'D BY L.R.

DATE 5/20/13

- CAD DRAWING -

MANUAL REVISIONS NOT PERMITTED

JKL COMPONENTS CORPORATION

TITLE 12 X 4000mm, 20mm PITCH, WHITE LED FLEX RIBBON

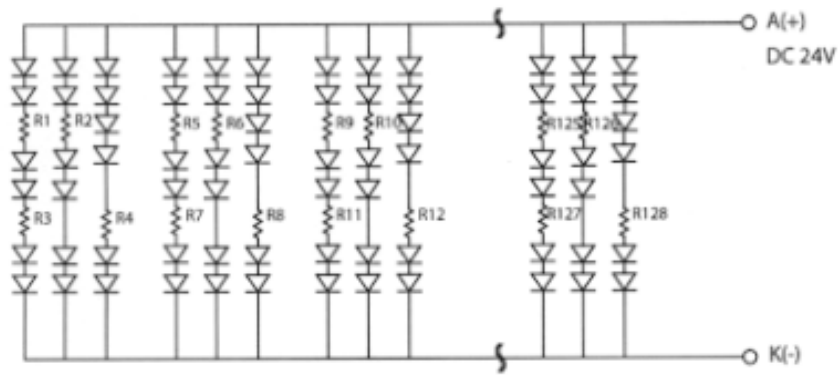
SIZE **A** FSCM NO. **55335** DRAWING NO. ZFS-124000 MULTI

SCALE NONE RELEASED DATE 5/20/11 REVISION DATE 5/20/11 REV. NO. **B** SHEET 1 OF 2

B	ADD MATING COMPONENTS & PG 2	5/20/13
A	NEW LINE DRAWING	3/27/12
	RELEASE & CANCEL PL-1103-01	5/20/11
REV. NO.	DESCRIPTION/ECO NUMBER	APPV'D DATE

12mm X 4000mm SMD LIGHT RIBBON

Circuit Diagram



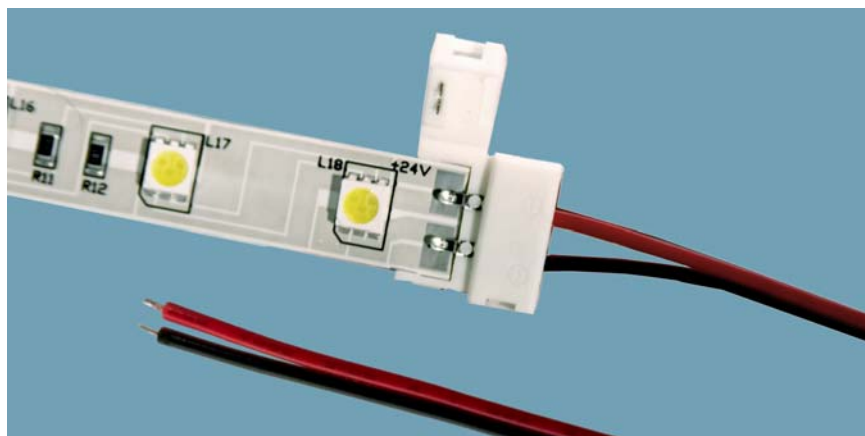
Accessories

ZPS-2435 OR ZPS-2460 MeanWell Power Supply

Mating Components



ZFS-CH0-12J
Flex to Flex Tape Connector



ZFS-CH144-12I
Flex Tape Input Connector