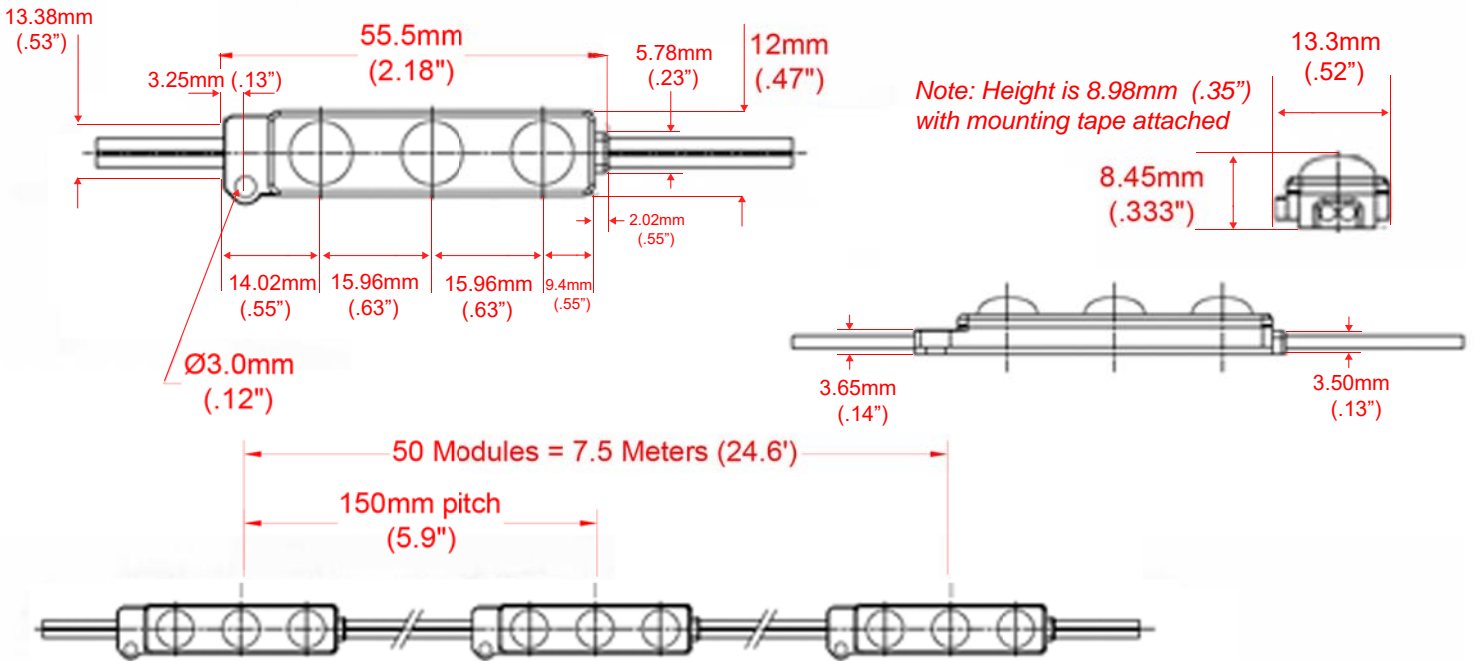


170° WIDE BEAM LED CHANNEL for SMALL or MEDIUM CHANNEL LETTERS and SIGN BOXES

FEATURES

- 12V DC
- IP67
- 50,000 Life Hours/5 Year Warranty
- 115 lm/W High Efficacy
- Operating Temperature -20°C to +70°C
- 170° Wide Beam
- 50 Modules Per Strand
- Can be Produced in Various Colors



NOTES:

- Mounting can be accomplished with double sided tape that is on the backside of modules. Screw holes are also present.
- Wire with Red Stripe is Positive Input.
- Use no more than 50 modules in series.
- Take care to prevent exposed wire on the ends.



JKL Part Number	Input Voltage	Power per Module	CCT	Beam Angle	CRI	Lumen Flux Per Module	Lumen Efficacy	No. Modules Per a Pack
ZM-333-CW	12V DC	0.66 W	6500K	170°	Ra80	76 lm	115 lm/W	50/7.5 Meters

		METRIC THIRD ANGLE PROJECTION		DIMENSIONS ARE IN mm (INCHES) TOLERANCE UNLESS OTHERWISE SPECIFIED 1 PL +/- REF. 2 PL +/- REF. ANGLE +/-		JKL COMPONENTS CORPORATION			
A		ADDED DIMENSIONS		DRAWN BY L. WENGSTROM		DATE 9/14/19		TITLE WIDE BEAM LED CHANNEL MODULE	
REV. NO.		DESCRIPTION/ECO NUMBER		APPV'D DATE		SCALE		FSCM NO. 55335 DRAWING NO. ZM-333-CW RELEASED DATE 9/14/19 REVISION DATE 3/3/2022 REV. NO. A SHEET 1 OF 1	