

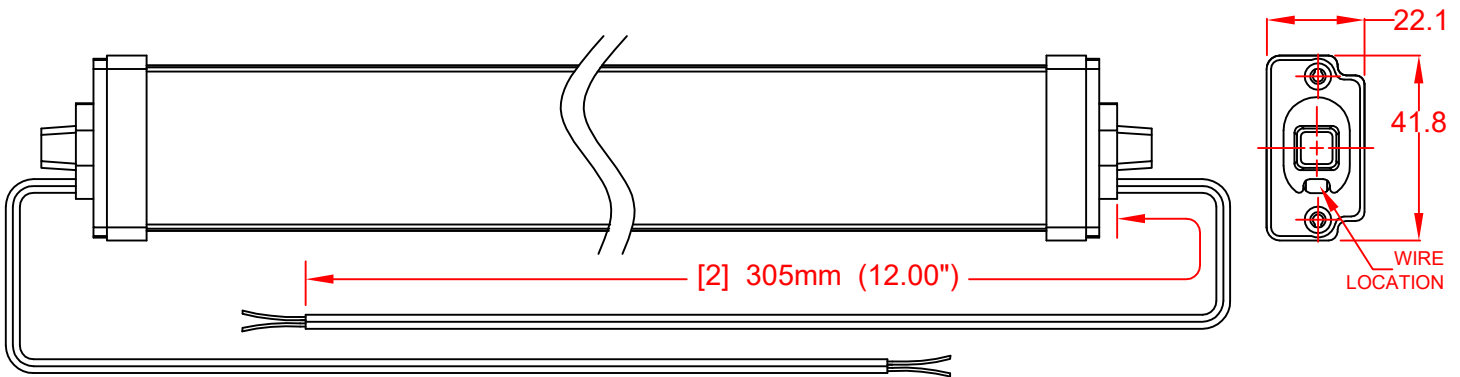
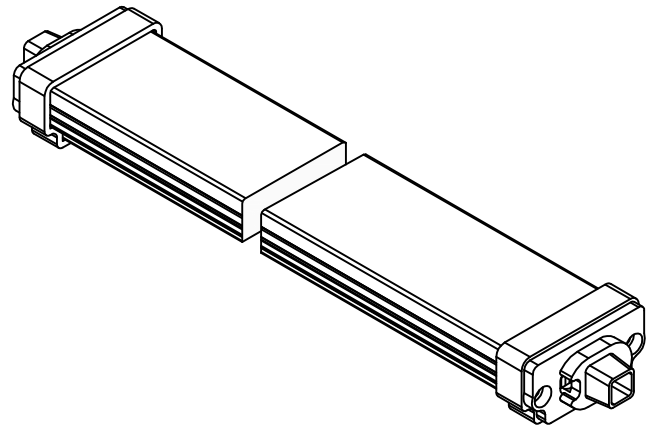
T12 LED RETRO-FIT

Features

Rugged design with straightforward installation.
 24V DC design permits safe and easy Class II wiring.
 Vertical or horizontal mounting.
 Green, energy-saving alternative.
 Optimized lens yields high brightness and uniformity.
 UL Type C.

Maximum Ratings

Input Voltage: 24V DC
 Life Time: 50,000 HRS (L70)
 CCT 6500° K CRI: Ra80↑
 IP Rating: IP67
 Beam Angle: 160°
 Warranty: 5 Years
 R17d Recessed Double Contact Base.

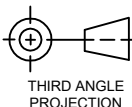


WIRE UL2468 20AWG
 WIRE PAIRS

Electro-Optical Characteristics

JKL Part Number	Length (Inches)	Industry Standard	Power (W)	Current (A)	Lumen (lm)	Connection in Series (Max)
ZRF-24HO-CW	21.91	2 Feet	6.4	0.268	740	12
ZRF-36HO-CW	33.91	3 Feet	11.2	0.469	1295	8
ZRF-42HO-CW	39.91	3.5 Feet	12.8	0.536	1480	7
ZRF-48HO-CW	45.91	4 Feet	14.4	0.603	1665	6
ZRF-60HO-CW	57.91	5 Feet	19.2	0.804	2220	5
ZRF-72HO-CW	69.91	6 Feet	22.4	0.938	2590	4
ZRF-84HO-CW	81.91	7 Feet	27.2	1.139	3145	3
ZRF-96HO-CW	93.91	8 Feet	32.0	1.340	3700	3



METRIC  THIRD ANGLE PROJECTION		DIMENSIONS ARE IN mm (INCHES) TOLERANCE UNLESS OTHERWISE SPECIFIED 1 PL +/- REF. 2 PL +/- REF. ANGLE +/-		JKL COMPONENTS CORPORATION TITLE T12 LED LAMP REPLACEMENT				
B ADD CANADIAN-US SYMBOL 9/16/19	A CHANGE CHART, ADD WIRE & DIMS 8/26/17	DRAWN BY L. WENGSTROM	APPV'D BY DATE S.N. 9/16/19	SIZE A	FSCM NO. 55335	DRAWING NO. ZRF-MULTI		
REV. NO. DESCRIPTION/ECO NUMBER APPV'D DATE		- CAD DRAWING - MANUAL REVISIONS NOT PERMITTED		SCALE NONE	RELEASED DATE 7/29/16	REVISION DATE 9/16/19	REV. NO. B	SHEET 1 OF 1