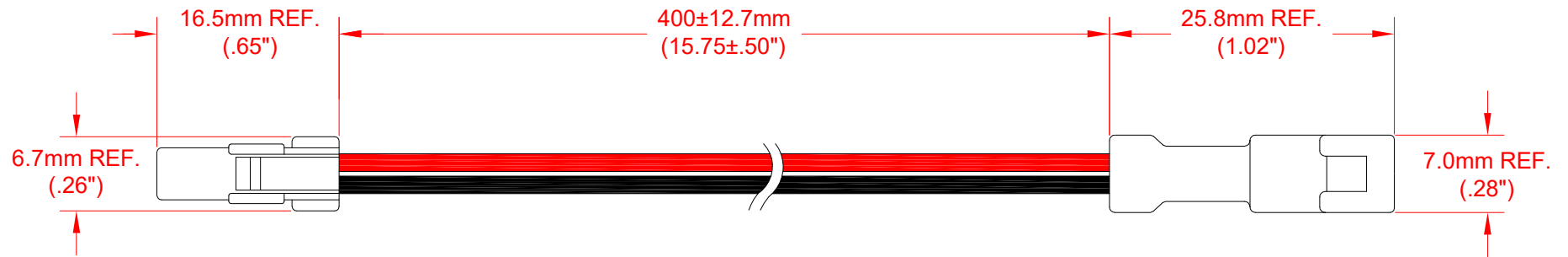
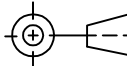


REV.	DESCRIPTION/ECO NO.	DATE
	RELEASE	5/30/17



CONNECTOR	PIN	CONNECTOR	PIN	WIRE TYPE	AWG	COLOR
CN1	1	CN2	2	UL 1007	22	RED
	2		1	UL 1007	22	BLACK

JKL PART NO.: ZWBL-CH-J

METRIC  THIRD ANGLE PROJECTION	DIMENSIONS ARE IN mm (INCHES) TOLERANCE UNLESS OTHERWISE SPECIFIED 1 PL +/- REF. 2 PL +/- REF. ANGLE +/- 0		JKL COMPONENTS CORPORATION			
	TITLE JOINER CONNECTOR HARNESS					
DRAWN BY L. WENGSTROM	APP'VD BY S.C.	DATE 5/30/17	SIZE A	FSCM NO. 55335	DRAWING NO. ZWBL-CH-J	
- CAD DRAWING - MANUAL REVISIONS NOT PERMITTED			SCALE NONE	RELEASED DATE 5/30/17	REVISION DATE 	
				REV. NO.	SHEET 1 OF 1	